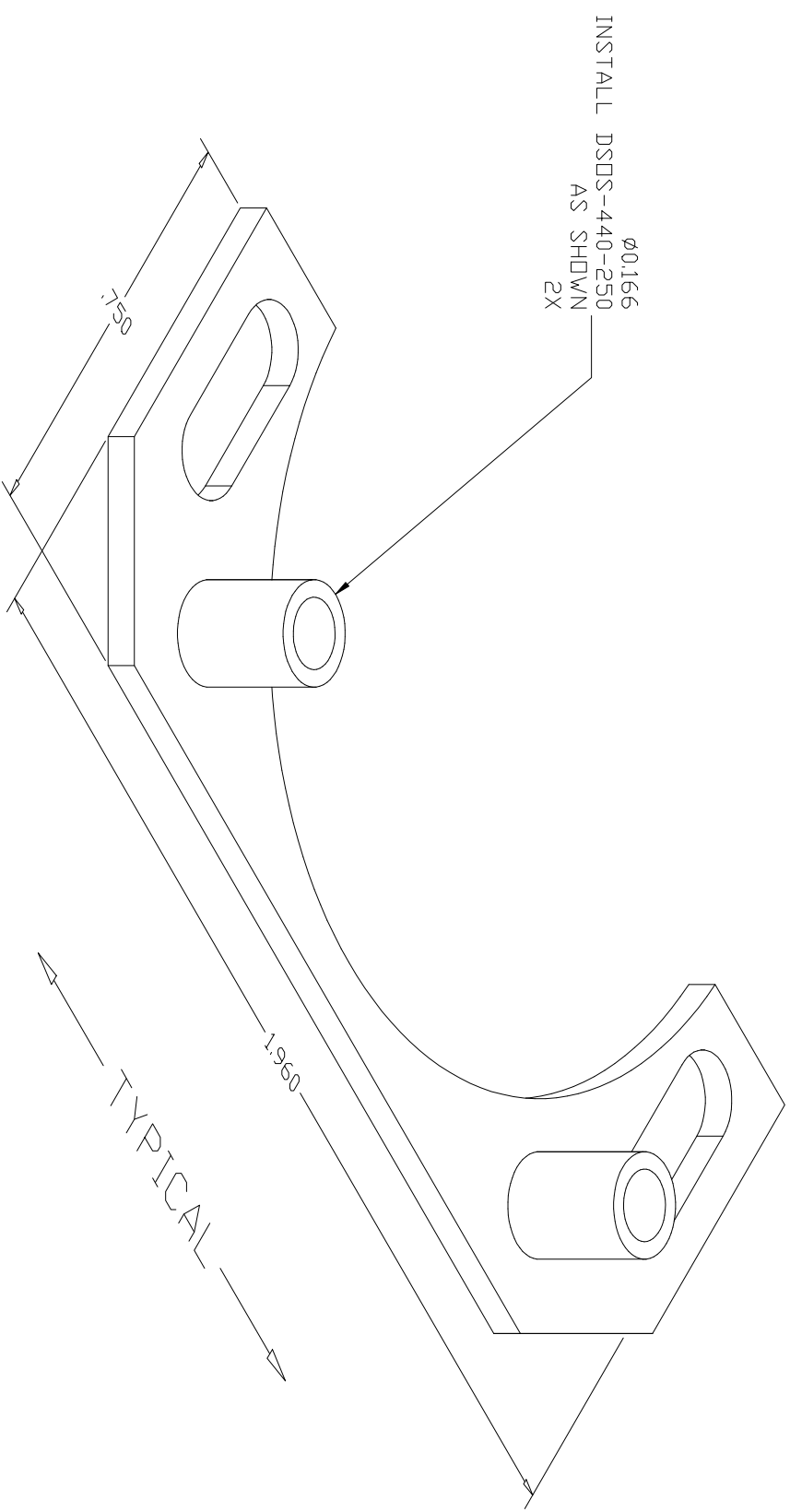


REV	DATE	DESCRIPTION
A	1-24-2002	INITIAL



**NOTES:**  
UNLESS OTHERWISE SPECIFIED

1. ALL DIMENSIONS ARE O.D. APEX.
2. DEBURR ALL SHARP CORNERS AND EDGES.
3. MATERIAL: .050 ALUM.
4. FINISH: CLEAR ALDINE.

RING INC.	
DISC FAN BRKT	
P/N	2002-0124
REV.	A
SHT.	1 OF 1
TOLERANCE	.XXX ±.005
	.XX ±.010
	.X

RING  
P/N 2002-0124 REV. A  
MAT. .050 ALUM.  
P/S .750 X 1.960

